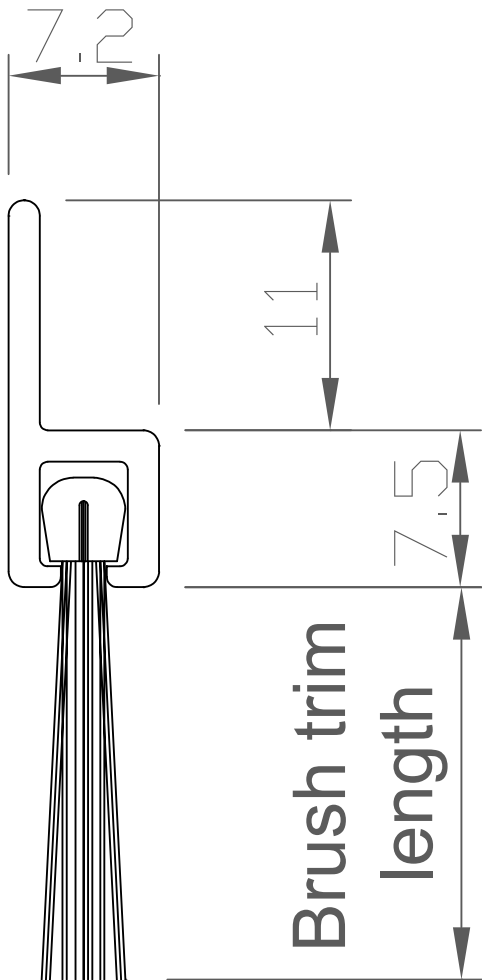


Section 1 - Carrier Angles

180°



90°

