

To fit your Finger Guard Seal, follow the simple instructions below. Offer the seal to the door to check for required length. If the Seal needs shortening, heavy duty scissors are recommended.

* Finger Guard Seal Gap cover and channel both have self adhesive strip on faces which attach to the door frame. Before fitting you must remove the pink cover from adhesive strip. Also ensure when fixing, the adhesive parts are pressed firmly into place.

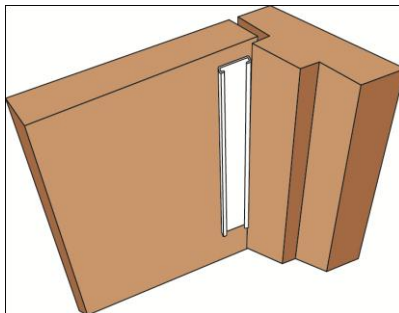
GAP COVER - 2 PARTS

STEP 1



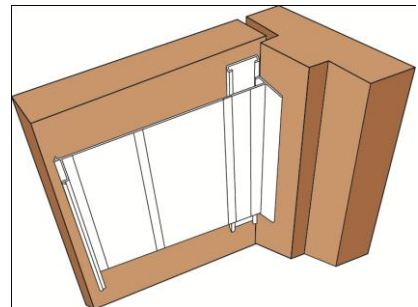
It is essential that the door and door frame are both clean and free from any silicone or polish

STEP 2



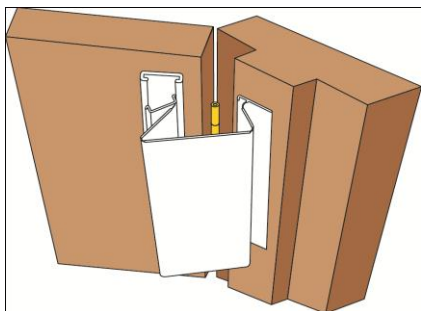
With the door shut, secure channel into the corner of the door.

STEP 3



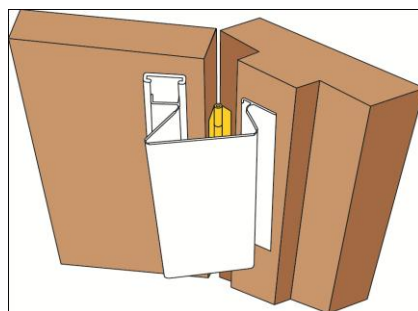
Secure flexible cover to door frame using edge of the channel as a guide for positioning.

STEP 4



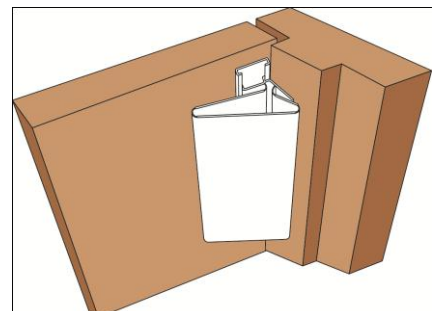
Open door. Line up foot on flexible cover to channel.

STEP 5



Locate and snap foot into channel on door.

STEP 6



Close door.

For high pedestrian traffic areas, securing the seal using panel pins or self tapping screws could be an advantage.